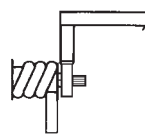
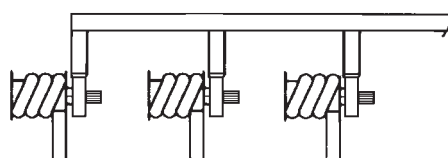


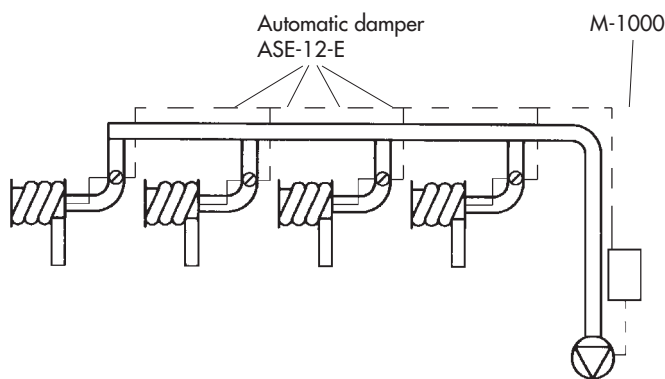
1. The most simple solution is to use a power operated exhaust reel with separate fan which is activated using a switch on the control box.



2. Another solution is to use two or several power operated exhaust reels with separate fans. The fans are activated using separate switches on the control box.



3. More than three exhaust reels equipped with automatic dampers and automatic fan starter. When using many exhaust reels a utilization factor of 0.25-0.50 is available which means that for example out of 12 exhaust reels $0.25 \times 12 = 3$ exhaust reels will be in use simultaneously. By use of the automatic damper ASE-12 E and a control box M-1000 the central fan can be dimensioned to fit smaller number of simultaneously used exhaust reels.



4. Exhaust reel mounting on swinging suspension arm. The combination of a swinging suspension arm and a power operated hose reel is a good solution when the reels needs to be moved between different workplaces. The exhaust reel can be connected to a central ducting or to a separate fan. The wall mounting bracket is prepared for the mounting of a fan.

